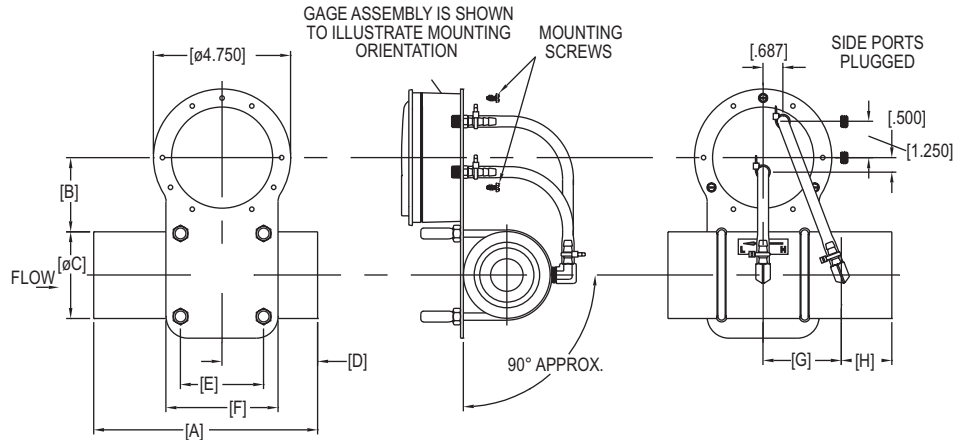


VENTURI FLOWMETER WITH MAGNEHELIC® GAGE

±2.5% Accuracy, Dual Scale in SCFM and in w.c.



VFLO Option	Line Size	A	B	ØC	D	E	F	G	H	J	K
XXXX-XXVF1	1" FNPT	4.500	2.687	2	2.015	2.125	3.125	1.359	1.125	4.625	6.375
XXXX-XXVF2	1.5" FNPT	6	2.562	2.500	2.625	2.375	3.375	2	1.375	5.250	7.125
XXXX-XXVF3	2" FNPT	7.750	2.562	3	3.312	2.875	3.875	2.703	1.750	5.750	7.875
XXXX-XXVF4	3" FNPT	11	2.734	4	4.625	4	5.500	4	2.375	7	9.625
XXXX-XXVF5	4" FNPT	14.500	2.734	5.000	5.172	5.000	6.500	5.328	3.000	9.250	11.500

The Series VFLO Venturi Flowmeter with Magnehelic® Gage is fabricated from aluminum and has a gradual Venturi profile to reduce pressure losses through the meter. Flowmeter can be used in a vertical or horizontal position just by rotating the Magnehelic® gage. The Magnehelic® gage provides a large, clear and accurate display of your differential pressure reading. Each meter is calibrated at standard atmospheric conditions. The dual scale reads in SCFM and in w.c. The meter is supplied with easy to read reference charts for various flow conditions. It is available in line sizes from 1" to 4" and can handle vacuum and pressure applications.

FEATURES/BENEFITS

- Gradual Venturi profile reduces pressure losses through meter helping to insure a more accurate measurement to meet measurement specifications
- Easy to read gage through undistorted plastic face permits viewing from far away
- Patented design provides quick response to pressure changes means no delay in assessing critical situations
- Durable and rugged housing and high-quality components combined provides long-service life and minimized down-time

APPLICATIONS

- Filter monitoring
- Air velocity with Dwyer pitot tube
- Blower vacuum monitoring
- Fan pressure indication
- Duct, room or building pressures
- Clean room positive pressure indication

Series 2000, Magnehelic® Differential Pressure Gage

To Create Venturi Model, add option from chart to end of 2000.

Example: 2000-10VF1 for 10 in w.c. and 20 SCFM of air scale with 1" Venturi flow tube

ACCESSORIES

Model	Description
MVB-LM1	Mini brass ball valve with lever handle. 1/8" F X 1/8" MNPT
MVB-TM1	Mini brass valve with tee handle. 1/8" M X 1/8" FNPT
MVB-WM1	Mini brass ball valve with wedge handle. 1/8" M X 1/8" FNPT

SPECIFICATIONS

Service: Air and non-combustible, compatible gases.
Wetted Materials: Aluminum, silicone, acrylic, polycarbonate, high carbon steel, low carbon steel, brass, paper, acrylic paint, enamel paint, alkyd coating, nickel plate, zinc plate, helisel FC, 300 series stainless steel, PTFE, Loctite® AV sealant, commercial black rubber, neoprene, samarium cobalt, nickel alloy steel cover, beryllium copper.
Housing: Die cast aluminum case and bezel, with acrylic cover. Exterior finish is coated gray to withstand 168 hour salt spray corrosion test.
Accuracy: ±2.5% FS.

Pressure Limits: -20" Hg to 15 psig (-0.677 bar to 1.034 bar); MP option: 35 psig (2.41 bar). For applications with high cycle rate within gage total pressure rating, next higher rating is recommended.
Overpressure: Relief plug opens at approximately 25 psig (1.72 kPa).
Temperature Limits: 20 to 140°F (-6.67 to 60°C).
Size: 4" (101.6 mm) diameter dial face.
Mounting Orientation: Diaphragm in vertical position. Consult factory for other position orientations.
Process Connection: Female NPT of nominal line size. (See chart).
Weight: Gage only: 1 lb 2 oz (510 g), MP and HP 2 lb 2 oz (963 g); Venturi: See chart.

OPTIONS

Option	Range	Line Size	Weight (Not Including Gage) lb (kg)
2000-10VF1	0 to 10 in w.c. and 0 to 20 SCFM air	1"	3 (1.36)
2000-20VF1	0 to 20 in w.c. and 0 to 30 SCFM air	1"	3 (1.36)
2000-40VF1	0 to 40 in w.c. and 0 to 40 SCFM air	1"	3 (1.36)
2000-10VF2	0 to 10 in w.c. and 0 to 50 SCFM air	1-1/2"	4.5 (2.04)
2000-20VF2	0 to 20 in w.c. and 0 to 70 SCFM air	1-1/2"	4.5 (2.04)
2000-40VF2	0 to 40 in w.c. and 0 to 100 SCFM air	1-1/2"	4.5 (2.04)
2000-10VF3	0 to 10 in w.c. and 0 to 85 SCFM air	2"	6 (2.72)
2000-20VF3	0 to 20 in w.c. and 0 to 120 SCFM air	2"	6 (2.72)
2000-40VF3	0 to 40 in w.c. and 0 to 160 SCFM air	2"	6 (2.72)
2000-10VF4	0 to 10 in w.c. and 0 to 200 SCFM air	3"	11 (4.99)
2000-20VF4	0 to 20 in w.c. and 0 to 290 SCFM air	3"	11 (4.99)
2000-40VF4	0 to 40 in w.c. and 0 to 395 SCFM air	3"	11 (4.99)
2000-10VF5	0 to 10 in w.c. and 0 to 350 SCFM air	4"	18 (8.16)
2000-20VF5	0 to 20 in w.c. and 0 to 500 SCFM air	4"	18 (8.16)
2000-40VF5	0 to 40 in w.c. and 0 to 675 SCFM air	4"	18 (8.16)

**Venturi price must be added to Series 2000 Magnehelic® gage price

USA: California Proposition 65

⚠WARNING: Cancer and Reproductive Harm - www.P65Warnings.ca.gov

Loctite® is a registered trademark of Henkel Corporation