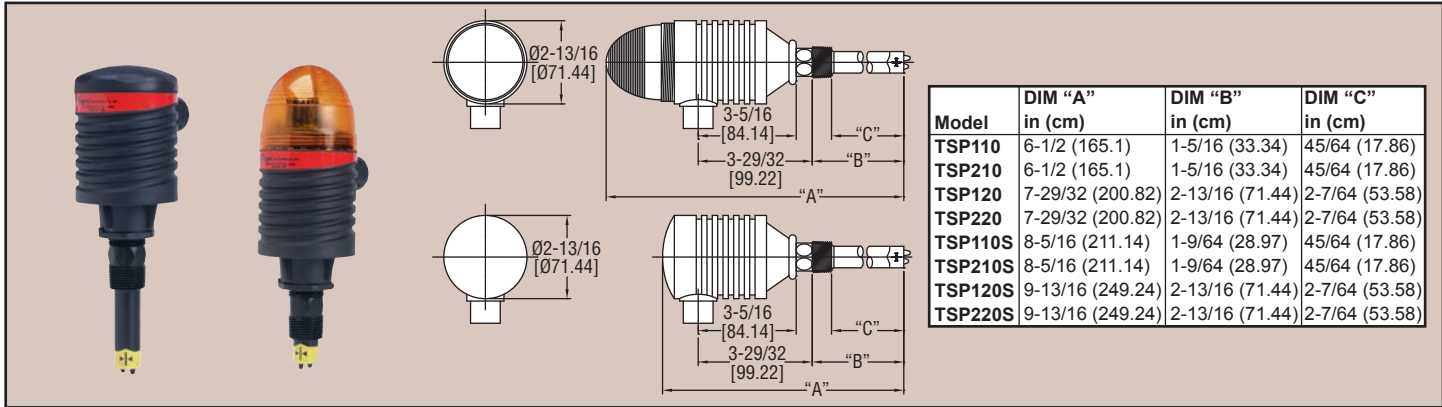




Series
TSP

Liquid Flow Controller

NO or NC Relay Output, Adjustable Time Delay



Model	DIM "A" in (cm)	DIM "B" in (cm)	DIM "C" in (cm)
TSP110	6-1/2 (165.1)	1-5/16 (33.34)	45/64 (17.86)
TSP210	6-1/2 (165.1)	1-5/16 (33.34)	45/64 (17.86)
TSP120	7-29/32 (200.82)	2-13/16 (71.44)	2-7/64 (53.58)
TSP220	7-29/32 (200.82)	2-13/16 (71.44)	2-7/64 (53.58)
TSP110S	8-5/16 (211.14)	1-9/64 (28.97)	45/64 (17.86)
TSP210S	8-5/16 (211.14)	1-9/64 (28.97)	45/64 (17.86)
TSP120S	9-13/16 (249.24)	2-13/16 (71.44)	2-7/64 (53.58)
TSP220S	9-13/16 (249.24)	2-13/16 (71.44)	2-7/64 (53.58)

Protect pumps and valves from dry running with the Series TSP Liquid Flow Controller. The Series TSP combine a liquid flow switch with a failsafe relay controller to detect a flow or no flow situation and provides switching for direct actuation of pumps and valves. Controller features adjustable time delay, selectable NO or NC operation, and LED indication of sensor, relay, and power status. Four models (TSP110S, TSP210S, TSP120S, TSP220S) are designed with an integral flash alarm to provide immediate indication of local alarm conditions.

Model	Flash Alarm	Wetted Parts	Sensor Length
TSP110	No	PP	Short
TSP210	No	PVDF	Short
TSP120	No	PP	Long
TSP220	No	PVDF	Long
TSP110S	Yes	PP	Short
TSP210S	Yes	PVDF	Short
TSP120S	Yes	PP	Long
TSP220S	Yes	PVDF	Long

SPECIFICATIONS

Service: Compatible liquids.

Wetted Materials: Polypropylene/PPS or polyvinylidene fluoride.

Range: 0.04 to 3 fps (1.2X10⁻² to .91 m/s).

Temperature Limits: -40 to 158°F (-40 to 70°C).

Pressure Limits: 150 psi (10 bar) @ 77°F (25°C), derated 1.67 psi (.113 bar) per °C above 25°C.

Relay Output: 1 SPDT form C, isolated and sealed.

Relay Load: 250 VAC, 10 A resistive, 1/2 hp.

Switching Mode: Selectable NO or NC.

Supply Voltage: 120/240 VAC, 50/60 Hz, selectable.

Current Consumption: .25 amps maximum.

Sensor Voltage Supply: 13 VDC, 1 Watt max., nominal.

Sensor Trigger Point: Dry <10 mA, wet >10 mA.

Time Delay: Adjustable, 0.15 to 60 seconds.

Flash Type: *Xenon tube.

Flash Frequency: *1 per second.

Brightness: *>50,000 CP.

Strobe Life: *10 M cycles.

Conduit Connection: 1/2" NPT.

Mounting Connection: 3/4" NPT.

Enclosure: Polypropylene, flame retardant, probe NEMA 4X (IP65).

Agency Approvals: CE.